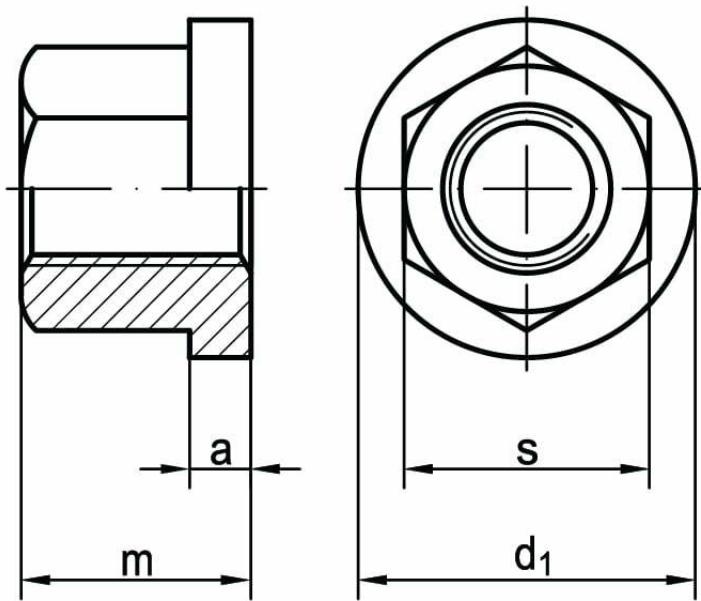
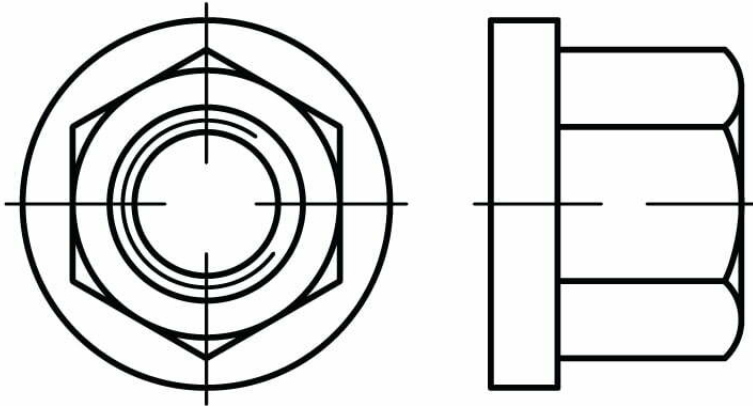




Hex nut with a conical flange DIN 6331



| STANDARD | MATERIAL | CLASS | COATING |
|----------------------|-------------|-------|-----------------|
| DIN 6331 PN 61272 | steel A4 | 10 | galvanized zinc |

| d | M6 | M8 | M10 | M12 | M14 | M16 | M20 | M24 | M30 | M36 |
|----------------|----|-----|-----|-----|-----|-----|-----|-----|-----|-----|
| a | 3 | 3,5 | 4 | 4 | 5 | 5 | 6 | 6 | 8 | 10 |
| m | 9 | 12 | 15 | 18 | 21 | 24 | 30 | 36 | 45 | 54 |
| d ₁ | 14 | 18 | 22 | 25 | 28 | 31 | 37 | 45 | 58 | 68 |
| s | 10 | 13 | 16 | 18 | 21 | 24 | 30 | 36 | 46 | 55 |