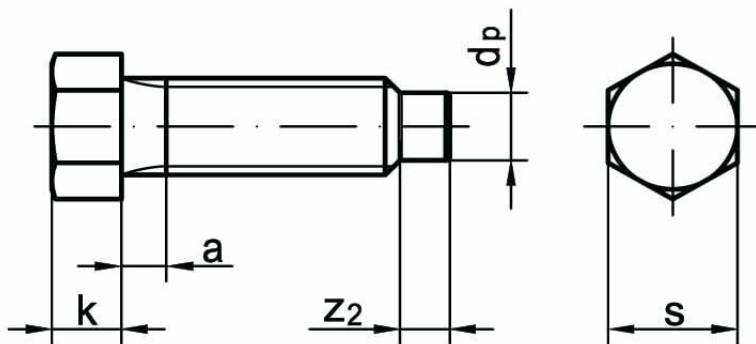
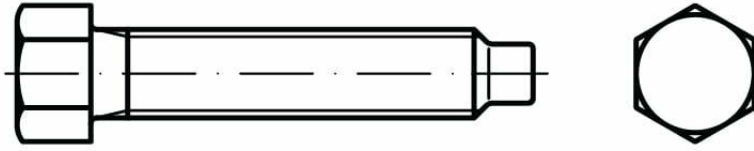




Hex set screw with full dog point DIN 561



STANDARD	MATERIAL	CLASS	COATING
DIN 561 PN 82303	A2 A4	14H 22H	galvanized zinc