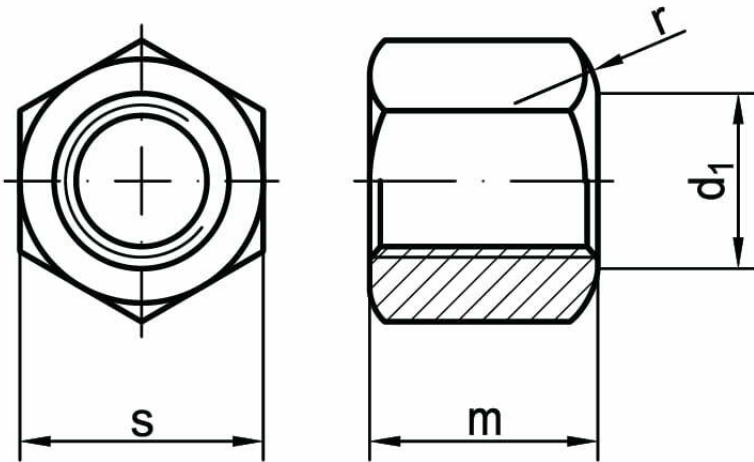
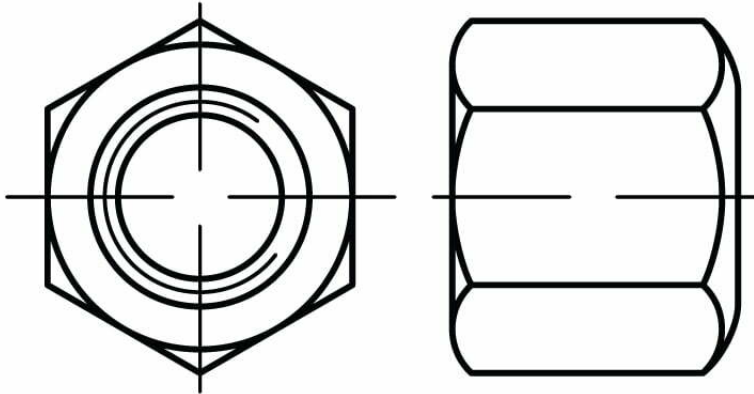




Hexagon nuts with a height of  $1.5d$  DIN 6330



STANDARD	MATERIA	CLASS	COATING
DIN 6330 PN 82155	C35 C45 24CrMo5 25CrMo4 42CrMo4 1.4571 A2, A4 Brass Copper	5 6 8 10 12	galvanized zinc hot-dip galvanized zinc thermo-diffusion zinc coating lamellar coatings (flake) zinc-nickel

d	M6	M8	M10	M12	M14	M16	M20
m <sub>DIN/ISO</sub>	9	12	15	18	21	24	30
s <sub>DIN/ISO</sub>	10	13	16	18	22	24	30

d	M22	M24	M27	M30	M36	M42	
m <sub>DIN/ISO</sub>	33	36	40	45	54	63	
s <sub>DIN/ISO</sub>	32	36	41	46	55	65	