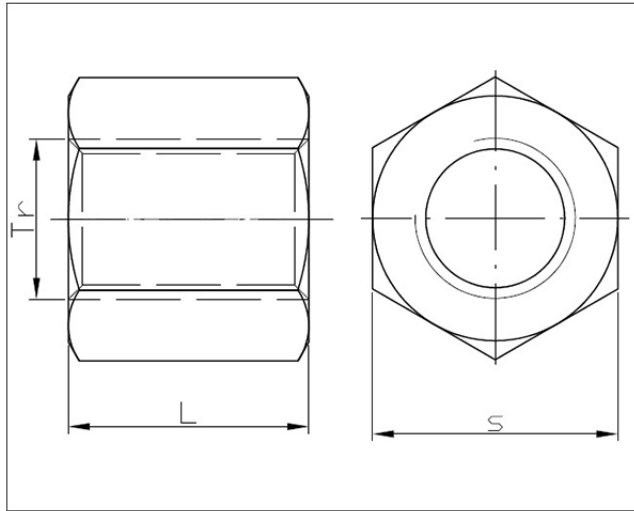




Hexagonal trapezoidal nuts



STANDARD	MATERIAL	CLASS	COATING
DIN 103 EL 122	steel according to guidelines		

Gwint	TR 10×2	TR 10×3	TR 12×3	TR 14×3	TR 14×4	TR 16×4	TR 18×4	TR 20×4
S	17	17	19	22	22	27	27	30
L	15	15	18	21	21	24	27	30

Gwint	TR 22×5	TR 24×5	TR 26×5	TR 28×5	TR 30×6	TR 32×6	TR 36×6	TR 40×7
S	20	36	36	41	46	46	55	65
L	33	36	39	42	45	48	54	60

Gwint	TR 44×7	TR 48×8	TR 50×8	TR 60×9	TR 70×10
S	65	75	75	90	90
L	66	72	75	90	105