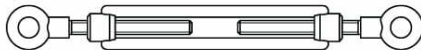
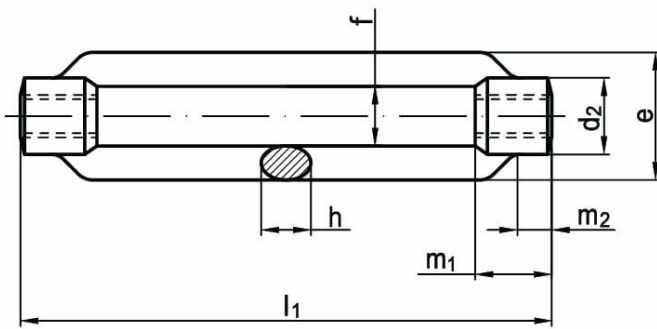
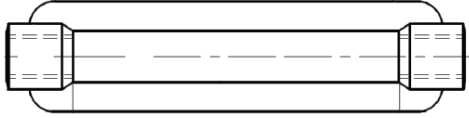




Turnbuckles DIN 1480



STANDARD	MATERIAL	CLASS	COATING
DIN 1480 PN 82269	steel A4		galvanized zinc

Turnbuckles DIN 1480
with 2 Plane Ends and Hexagon Nut on right thread
Turnbuckles DIN 1480
with Hook and Eye
Turnbuckles DIN 1480
with 2 Eyes
Turnbuckles DIN 1480
with 2 Hooks
Turnbuckles DIN 1480
with 2 Jaws

d	M6	M8	M10	M12	M16	M20
d ₂	12	15	18	21	27	34
e	19	23	30	34	42	52
f	9	11	14	16	20	24
h _{min}	6	8	9	11	14	17
l ₁	110	110	125	125	170	200
m ₁	12	15	18	21	27	34
m ₂	6	8	9	11	14	17
zakres napinania	80	75	85	80	110	130

d	M24	M30	M36	M42	M48	
d ₂	39	45	55	63	80	
e	60	74	86	104	135	
f	28	34	40	50	65	
h _{min}	20	23	28	32	40	
l ₁	255	255	295	330	355	
m ₁	39	45	55	63	78	
m ₂	20	23	28	32	39	
zakres napinania	170	160	180	200	195	