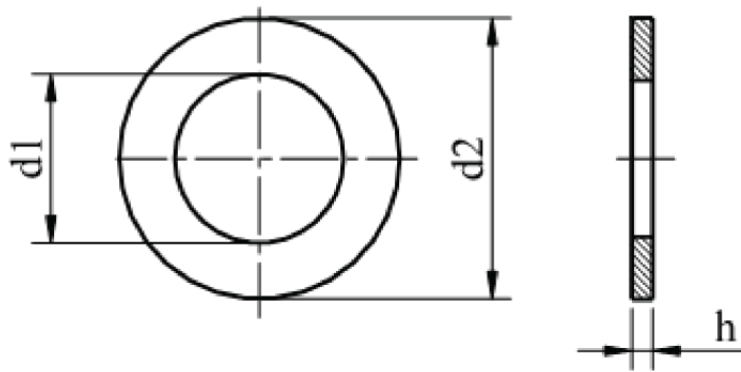
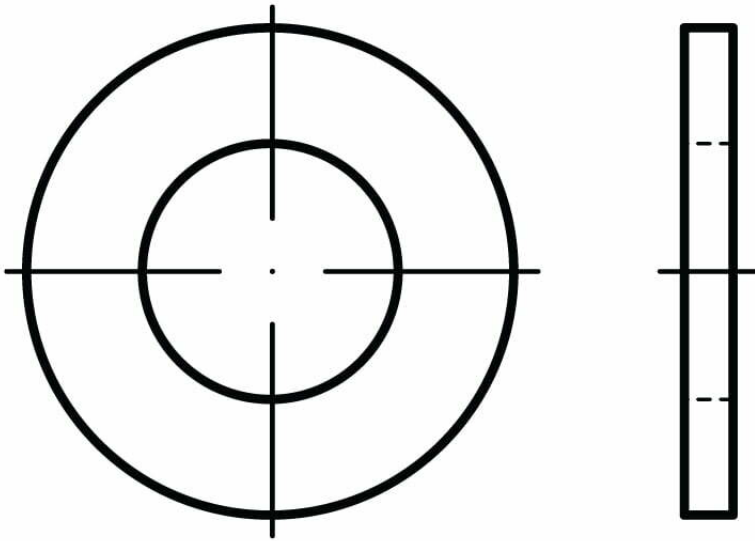




Podkładki płaskie DIN 125 A materiały specjalne, ISO 7089



| NORMA | MATERIAŁ | KLASA | POWŁOKA |
|--------------------|--------------------------------------|-------|------------------------------------|
| DIN 125 A ISO 7089 | 1.4462 1.4529 1.4539 1.4571 | | ocynk galwaniczny ocynk ogniowy |
| Forma A | | | |

| <i>d</i> | M5 | M6 | M8 | M10 | M12 | M16 | M20 | M24 |
|----------------------|------|------|------|------|------|------|------|------|
| <i>d₁</i> | 5,3 | 6,4 | 8,4 | 10,5 | 13,0 | 17,0 | 21,0 | 25,0 |
| <i>d₂</i> | 10,0 | 12,0 | 16,0 | 20,0 | 24,0 | 30,0 | 37,0 | 44,0 |
| <i>h</i> | 1,0 | 1,6 | 1,6 | 2,0 | 2,5 | 3,0 | 3,0 | 4,0 |

| <i>d</i> | M27 | M30 |
|----------------------|------|------|
| <i>d₁</i> | 28,0 | 31,0 |
| <i>d₂</i> | 50,0 | 56,0 |
| <i>h</i> | 4,0 | 4,0 |